



Rumbleseat Review



www.wichitaas.com

WICHITA A'S MODEL A FORD CLUB

Volume 41 Issue 3

P.O. Box 25, Wichita, KS

March 2026

March 2026

S	M	T	W	TH	F	S
1	2	3	4	5	6	7
8	9	10	11	12	13	14
15	16	17	18	19	20	21
22	23	24	25	26	27	28
29	30	31				

April 2026

S	M	T	W	TH	F	S
			1	2	3	4
	6	7	8	9	10	11
12	13	14	15	16	17	18
19	20	21	22	23	24	25
26	27	28	29	30		

May 2026

S	M	T	W	TH	F	S
					1	2
3	4	5	6	7	8	9
10	11	12	13	14	15	16
17	18	19	20	21	22	23
24	25	26	27	28	29	30
31						

March Refreshments Beverage & Ice
Brenda Broadhead

Treats
Alan Orr
Terry Grabendike
Doris Jean Ludlow

CLUB TOURS & MEETING SCHEDULE

March 2026



- 23..... Club Meeting at Minisa Park 704 W. 13th..... 7:00PM
- 28..... "A" Straight From the Horses Mouth View..... ..Frank Chenoweth

April 2026



- 2..... Coffee & Donuts for Men.....Tom Ruggles
- 10..... Newsletter Deadline...sheorr@sbcglobal.net.....Sheila Orr
- 18..... "A" Return to Carlton.....Adams
- 27..... Club Meeting at Minisa Park 704 W. 13th..... 7:00PM

May 2026



- 1..... Newsletter Deadline...sheorr@sbcglobal.net.....Sheila Orr
- 1-3..... "A" Big Kansas Road Trip.....James
- 7..... Coffee & Donuts for Men.....Tom Ruggles
- 18..... Club Meeting at Minisa Park 704 W. 13th..... 7:00PM
- 22-25..... Memorial Day on Route 66.....White
- 29-31..... "A" Drive On Route 66.....James

What's Inside

Calendar	1
President & Secretary Notes	2-3
Announcements	4
Future Tours & Events	5-9
2026 Tour Schedule	10
Past Tour	11
National Model A Clubs	12-13
Tech News	14
ERA Fashion	15
Swap Meet/Nat'l Schedule	16

The Wichita A's meet on the 4th Monday of the month except December. We do not hold a meeting during the month of December. Other meeting changes will be published in the newsletter prior to the scheduled meeting. The meetings are held at Minisa Park, 704 W. 13th, Wichita, KS. Meeting time is 7:00 PM unless otherwise noted in the newsletter.

Wichita A's Model A Club Meeting– February 23, 2026

CALL MEETING TO ORDER/FLAG SALUTE – President **Mike James** called the meeting to order and led the group in reciting the Pledge of Allegiance.

MINUTES (November 2025) - **Gary Hileman** made a motion to accept the minutes. Motion was seconded and carried.

NEW MEMBERS/GUESTS – Mike introduced new member **Dakota Bennett**.

SUNSHINE REPORT – **Barb Phye** reported that **Jim Nungesser** fell and broke his ankle. **John Stone** fell and broke his hip. John is currently in rehab. **James Sharp** has had a good three months in a row!!!!!!

TREASURER'S REPORT – Claudia gave the treasurer's report.

STORY OF THE MONTH – **Mike James** provided a story of the month.

MARC & MAFCA REPORT -**Gina McNeal** reported that a short article was submitted to the Model A News on the activities of our club (i.e. Christmas party, New Year's Day tour).

WICHITA AREA CAR COUCIL – Stuart reported that a meeting was held last week. There is a car show at Century II on 3/6 -3/7 and one at Lake Afton on 6/17. Flyers with the upcoming car shows are in the notebook at the front table and are available for your review.

CORRESPONDENCE – Thank you notes were received from the families of **Brenda Broadhead** for the donation made in memory of **Jim Broadhead** and from **Scott Guinty** for donation made in memory of **Joyce Guinty**.

MEN'S COFFEE – **Tom Ruggles** announced that the next coffee at his house is on Thursday, March 5th from 8am-10am and a swap meet will be held. A scrap metal trailer will be available.

NEW BUSINESS – Mike announced that there are copies of the tour guidelines at the front table for anyone interested in leading a tour.

PROGRAM – Presentation by **Lon Smith** from the Great Plains Transportation Museum.

TOUR PLANNING DISCUSSION – **Don Grabendike** led the tour planning discussion.

REFRESHMENTS: **Jack Hezlep, Frank Chenoweth, Donna Hileman, Debby Grieving.**

MEETING ADJOURNED

Submitted by **Kathy James**, Secretary

Board Meeting February 23, 2026

MEMBERS PRESENT: **Mike James, Stuart McNeal, Claudia Ellerman, Frank Chenoweth, Richard Kibbe, Eric Weninger, Kathy James**

DEBIT/CREDIT CARD FOR THE TREASURER– Members discussed the club having a debit vs a credit card for the treasurer. The group supported a credit card. The board stipulated that the credit card be in the club's name, have a \$1,000 limit, be used exclusively by the treasurer and that charges be reviewed in a monthly report. Claudia will check into acquiring the credit card.

FINANCIAL REPORTS – Claudia shared the financial reports. Reports were reviewed and questions answered. Taxes have been filed. The Corporate report to the Secretary of State is filed every 2 years.

MAFFI BRICK OF APPRECIATION – The purchasing of MAFFI bricks of appreciation for club's members was discussed. The group wanted to continue to purchase additional bricks as the dollar amount is collected. The question was raised "if a brick has been purchased to honor the Wichita A's Model A Ford Club?" **Kathy James** will make some calls to find out and will let this group know. **Eric Weninger** proposed that a brick be purchased in honor of the club's past presidents if a brick had not already been purchased. Motion was made, seconded and carried. Claudia will follow up on ordering the 13 bricks. It was determined that the next brick recipients would be **Ray and Rita Hoffmans**.

NOTE: ADDENDEUM TO MAFFI BRICK OF APPRECIATION – Following the board meeting on 2/26/2026, **Claudia Ellerman** proposed that a brick be purchased to honor "all" past presidents of our club (22 bricks). A motion was made and seconded. Four were in favor and 3 opposed. Motion carried.

WAIVE MEMBERSHIP FEE FOR FIRST YEAR CLUB MEMBERS – **Mike James** stated that it had been recommended to him that the membership fee be waived for first year members. The issue was discussed and a start date of 10/1/26 (fiscal year 2027) was suggested. Eric made the motion to implement the recommendation. The motion was seconded and carried.

MENTORING PROGRAM FOR NEW MEMBERS - **Mike James** received a suggestion that a mentoring program for new members be initiated. This would include names and phone numbers of current club members, who could be called for technical advice. The issue was discussed. **Mike James** will request and review the new membership packet and solicit names of members, who can be called. The listing will be included in the new membership packet.

BREAK DOWN REPORT - It was suggested to **Mike James** that we have a break down report where members could share their Model A issues and seek advise on how they resolved them. Mike will follow on this issue.

INCREASE CLUB VISIBILITLY/STIMULATE NEW MEMBER INTEREST – Mike requested that the group give thought on how to enhance club visibility and stimulate new interest.

MEETING ADJOURNED

Submitted
Kathy James, Secretary

President's Message

The month of March is here. Spring is in the air and if you happen to own a Green Model A Ford you are doubly blessed - at least on St. Patrick's Day.

Speaking of luck, many of our club members took advantage of an invitation from Jorge Martinez to tour Anchor Fabrication (formerly JR Custom Metal). Anchor is located on West street west of Kellogg in an industrial area of town. Many of us have probably driven past the location and never given it a 2nd thought. Saturday, February 28, 2026, however, was our lucky day as Jorge and his nephew Eddie provided an outstanding tour of their products and processes. Learning about the construction of blast shelters, data buildings, snow blowers, vehicle barriers and powder coating was eye-opening. As I reflected on the tour, I reminded myself that it was only because of my Model A Ford that I was lucky enough to receive an invitation to tour Anchor Fabrication and get exposed to an industry I was not acquainted with. As we celebrate the month of March and St. Patrick's Day, please keep in mind that we are all lucky to be involved in a historical club that honors the past while simultaneously exploring the present. I'm feeling pretty lucky even though my Model A is not green.

Mike James

President



AND NOW—A NOTE ABOUT WEARING NAME TAGS!

Successful businesspeople know how important a name tag can be for developing new contacts and presenting yourself professionally. Yet some people have a long list of excuses to **not** wear name tags. I have heard a lot of them during my career and all of them can be rebutted:

1. "Name tags look silly."
Yes, sometimes they do. Remember that everyone else is wearing one, too.
2. "Name tags ruin my clothes."
Club name tags are affixed with a clip, which are cloth-safe connectors.
3. "But I already know everybody."
No, you don't. You may think you do, but people join and leave organizations all the time and using a wrong name for someone may make a lasting impression but not a good impression.
4. "But everyone already knows me."
No, they don't. Even if they have previously met you, they may not remember your name. The "other thing (and I hate to mention it) I am getting older". My "Instant recall" left the room several years ago and it does not help me when I wake up at 2AM to go to the bathroom and exclaim to myself - OH - That was so & so at the meeting! Now I remember.

Here's hoping everyone gets the hint. I have my name tag in my Model A bag and will wear it proudly at our next meeting. Yours truly: "ol what's his name"



APRIL BIRTHDAYS

- 1 Dean Feller
- 6 Cole Base
- 6 Ray Harshfield
- 7 Ray Hoffmans
- 8 Gina McNeal
- 12 Fred Hilger
- 14 Butch Wilkerson
- 15 Gary Hileman
- 15 Lori Joyal
- 17 Brenda Broadhead
- 21 Eita Hoffmans
- 22 Jeff Dewey
- 24 Carol Diaz
- 29 Tara Grabendike

Announcements

Give Away

I have many years of MAFCA "The Restorer" magazines. I am Downsizing my shop. I would like to give them to anyone who has an interest in them. Please call me at 913-755-1858

Rick Speck



NEW MEMBERS

Jorge & Kim Martinez

Welcome back Eric & Bridgitte Baggs

I will have the 2026 Refreshment list at the March meeting. Please look at your calendar and decide what month will work for you to help with refreshments. We need one person to bring beverage and ice, three to bring treats. Two dozen cookies or another finger food would be good. The club will provide coffee, but usually only if it is cold. Please let me know if you miss having coffee at the meeting. It seems like there are not very many that drink the coffee when Glenda has it fixed it.

If you have any questions please contact **Brenda Broadhead**

Thank you for your help
Brenda Broadhead

MAFFI BRICK COLECTION
We had \$179.00 in the headlight. Amount collected in the February meeting was \$16.00. Balance is now \$195.00

Denny Ellerman



Newsletter Deadline

Friday, April 10, 2026
Sheila Orr
sheorr@sbcglobal.net
316-207-8878

2026 Refreshments



March	April	May
Beverage Brenda Broadhead	Beverage Ray Harshfield	Beverage Marcia Kurtz
Treats Alan Orr Terry Grabendike Doris Jean Ludlow	Treats Melanie Adams Blake Waller Brenda Broadhead	Treats Claudia Ellerman Tom Cornwell Barb Phye

Future Tours & Events

STRAIGHT FROM “A” HORSES MOUTH



VISIT THE “COWSKIN CREEK CLYDESDALES FARM”
 4860 S. 183RD ST. south
MARCH 28, 2026
9:30 AM

We will meet in the parking lot, at 2487 S. Seneca St., in front of Harbor Freight. We will leave at 9:30 am to travel to the farm and arrive by 10:00 AM. Following the tour, we plan to have lunch at a restaurant to be determined. The farm has requested an estimated number of attendees; I intend to provide them with the attendee count on March 23. I will have a sign up sheet at the March meeting. Please call me at (316-) or email () to register if you wish to participate.

The club will cover costs for members, and the cost for visitors will be \$20. It can be paid for at the tour.

Thanks
Frank Chenoweth

Coffee & Donuts



Coffee & Donuts for Men will be held Thursday, April 2nd from 8 AM to 10AM at Tom Ruggles garage, .

Tom Ruggles





WHAT: Big Kansas Road Trip to Humboldt

WHEN: May 1-3, 2026

WHERE: Meet at Caseys in Rose Hill. 1314 N. Rose Hill Rd. Rose Hill, 67133

Tour Leads: **Kathy James** (Cel Ph. 316)

Mike James (Cel. Ph. 316)

Email: .com

Description: This is the kickoff Big Kansas road trip for 2026. Approximately 110 miles from Rose Hill we will enjoy a beautiful spring time drive to Humboldt, and its nearby neighbor Chanute. Humboldt's museum and signage around town displays their town's history that dates back to the Civil War. We will plan to visit a 19th century woodworking shop, the Whitetails & Wildlife Museum and participate in BKRT event. Although not a part of the BKRT event, we will be staying in Chanute (Chanute has the hotel). Chanute also has some interesting attractions to include: Martin & Osa Johnson Safari Museum, Historic Santa Fe Depot, Chanute Historical Museum, Howard's Toys for Big Boys and Chanute-Wright Brothers Memorial.

Cost: to be determined

Sign Up at the March 23, 2026 meeting or call, text or email **Kathy or Mike James** (see above).

Rev Up for a Good Cause!

Join us for an unforgettable day at the Old Cowtown Museum for a Car Show Fundraiser! Cruise through a stunning display of classic cars, vintage trucks, and modern marvels, all while supporting a great cause.

WHEN: Saturday, **May 9th** 10:00 –3:00 PM

WHERE: Old Cowtown Museum 1865 Museum Blvd. Wichita, KS

COST: Early bird registration is \$20. Registration at the gate \$25

General admission rates apply for all attendees, and no advanced ticketing is needed.

Proceeds benefit museum programs, volunteer programs and preservation efforts.

Bring your friends, family, and your love for cars to support the rich history of Cowtown. Whether you're a car enthusiast or just looking for a fun day out, there's something for everyone!

Don't miss out on the ride of a lifetime—mark your calendars and cruise on over to the Old Cowtown Museum!

Line up for the car show begins at 8:00 AM at the gate just west of the main Cowtown entrance. Please look for the signs along Museum Blvd.

Dakota Bennett



Cultural Icon: The 1946 Bobby Troup song "Route 66" (famously sung by Nat King Cole) and the 1960s TV show *Route 66* cemented its status in pop culture.

Tulsa's Capital Cruise- Route 66

Making History on May 30, 2026

Tulsa is celebrating 100 years of Route 66 with *Capital Cruise*, a **GUINNESS WORLD RECORDS®** attempt for the *largest classic car parade ever*. From vintage muscle to family treasures on four wheels, thousands of stunning cars will cruise right through the heart of the *Capital of Route 66*. It's shaping up to be the biggest birthday bash the Mother Road has ever seen, with vendors, live music, and Route 66 festivities planned throughout the entire weekend.



Tour Leads: **Kathy James** – 316-and **Mike James** – 316- call or text
Email: lcom

Date: May 29 – 31

Objective: 100 miles for the 100th birthday of Route 66. We will drive to Tulsa, Oklahoma, participate in the parade and then drive on Route 66 back to SE Kansas (Galena, Riverton & Baxter Springs).

NOTE: YOU must register for this event go to:
<https://www.visittulsa.com/parade/>

NOTE: must have proof of insurance, car tag number, driver license available to register and credit card available for payment.

Dallas Model A Club Route 66-May 22-25, 2026



On page 8 & 9 there are registration and hotel forms for this trip! Registration forms must be in by April 1st!

The Dallas Model A Club is hosting a tour of Historical Route 66 to celebrate the 100th year anniversary of this road. We can join them as a club (plans at this time are tentative) This starts and ends over Memorial Day weekend. Tour speed will be 45 MPH with planned stops.

I have proposed three groups depending on interest from the club.

Group one will leave Great Bend, Kansas and drive to Medicine Lodge, KS.

Group two will leave Wichita, KS and meet group one in Medicine Lodge, KS on May 22.

Group three can leave Wichita and meet group one and two in Edmond, OK on May 23rd.

There will be a \$20 fee per car. This will cover a tour book and fees for the Dallas Model A Club. All meals and hotels are to be paid by participating members.

If interested please contact **Steve White** at 620- or email atcom. Tell me if you are interested and which group you would be driving with.

100th Anniversary Route 66 Oklahoma Tour

Hosted by the Dallas Model A Ford Club

5/22/26 - 5/25/26

Name:	Spouse/Guest(s)/Kids
Cell Phone Number:	E-Mail:
Model A Club Affiliation:	

Item	Cost	QTY	Total
Registration Includes license plate, tour book, and 1 tour patch	\$20	1	\$20.00
Additional Patches	\$7	____@\$7	
Additional License Plate	\$7	____@7	
Grand Total			

<p>Not Included in Registration Hotels, Meals, Fuel, Museum entrance fees, or any other side tips or stops not listed.</p>	<p>All registration forms must be received by April 1st, 2026 Please send payments and registration forms to: Trisha Evans 3405 Cliffwood Dr. Colleyville TX 76034 Checks Payable to Trisha Evans Other payment types accepted Venmo: @trisha-evans-14 Zelle: 817-808-4279 or Trishaevans@gmail.com</p>
---	---

Hotel Information: These hotels are in close proximity to each other. You are responsible for making your own hotel reservations. There are no group blocks arranged, so you are welcome to book however you prefer.

<p>May 22, 2026 Best Western Plus 1802 N. Main St. Shamrock, TX 806-256-1001</p> <p>Some other hotel choices in Shamrock</p> <p>Sleep Inn and Suites 111 E. 15th Street Shamrock, TX</p> <p>Motel 6 1006 E. 12th Street Shamrock, TX</p>	<p>May 23, 2026 Hampton Inn Edmond 300 Meline Dr. Edmond, OK</p> <p>Some other hotel choices in Edmond</p> <p>Fairfield Edmond 301 Melina Dr. Edmond, OK</p> <p>La Quinta Edmond 200 Meline Dr. Edmond, OK</p> <p>Home 2 Suites 321 Melina Dr. Edmond, OK 73034 405-285-8380</p>	<p>May 24, 2026 If you want to stay in the city where the farewell meal is Hampton Inn 115 Deacon Turner Rd. Miami 918-541-1500</p> <p>Some other hotel choices in Miami</p> <p>Days Inn 2120 E. Steve Owens Blvd, Miami, OK</p> <p>Microtel 2015 E. Steve Owens Blvd, Miami, OK</p> <p>We have a group heading back towards the DFW Metroplex after the farewell meal to make Monday's drive easier. It is about 50 miles.</p> <p>Hampton Inn 431 Midamerica Dr. Pryor, OK 74361 918-981-8000</p>
--	--	---

Group Meals: We will have several group meals set up but you will be responsible for your own check. Additional details will be provided in your registration packet.

Trailer parking: We have not set up a group trailer parking area. If you are trailering to the tour, you are responsible for securing your own trailer parking.

A link to Check Out

oklahomaroute66.com

Tours for 2026

2026	DAY	DATE	TOUR	LEADER
FEBRUARY	Sat	28	Anchor Fabrication	
MARCH	Sat	28	"A" Straight From The Horses Mouth View	Chenoweth
APRIL	Sun	5	Easter	
	Sat	18	"A" Return To Carlton	Adams
MAY	Fri-Sun	1-2-3	"A" Big Kansas Road Trip	James
	Sun	10	Mother's Day	
	Fri, Sat, Sun	23,24,25	Memorial Day On Route 66	White
	Fri, Sat, Sun	29-30-31	"A" Drive On Route 66	James
JUNE	Sun	7	"A" All Wheels Day Lake Afton	
	Sun	14	"A" Ride On Jerry's Train	Ottoway / Grabendike
	SAT	20	"A" Behind the Camera Look at KPTS Chanel 8	
JULY	Sat	4	"A" Derby Parade	Hezlep / Hileman
	Sat	18	Automobilia Moonlight Car Show	
	Sat	25	"A" Little Train In The Country	Ottoway / Grabendike
AUGUST	Sat	8	"A" Train Big and Small	McNeal
SEPTEMBER	Mon	7	Labor Day	
	Fri,Sat, Sun	25,26,27	"A" View of Nicodemus and Their Dusty Past	James
OCTOBER	Sun	4	"A" All Ford Day	
NOVEMBER				
DECEMBER			"A" Ladies Luncheon	
			"A" Christmas Party	
	Fri	25	Christmas Day	

Past Tours

Tour of Anchor Fabrication

The tour of Anchor Fabrication in Wichita on February 28th was hosted by Jorge Martinez. He is recently retired from the business which was started by his father over 50 years ago as JR Custom Metal Products. Jorge is the new owner of two Model A's formerly owned by the late Ed and Beverly Gibson, and recently joined the Wichita A's.

There were about 40 people in attendance, from the Early Ford V8 Club, Wichita A's and Horseless Carriage Club. The company's fabrication, welding, powder coating and assembly areas were visited. The business makes metal products ranging from steel vehicle barriers to blast-proof buildings and completely assembled farm implements for a variety of customers. What an impressive operation! It has grown from its modest beginnings to a manufacturer with sales over \$40 million annually.

Tom Ruggles



MAFFI Minute

February 2026



Punxsutawney Phil may say that spring is still 6 weeks away, but at the museum spring cleaning has already begun! We are excitedly moving forward with continuing to get everything ready for guests and school groups to come experience our hobby.

We have rolled out a new order form for the My-A-Program which is a great way to donate back to the museum. Val Maron can be reached at TheMyAProgram@gmail.com or call her at (847) 951-5858 for details.

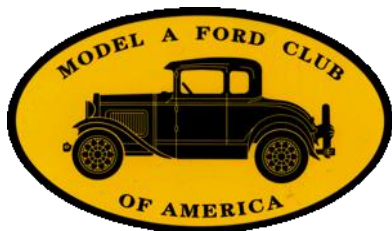
We have been busy at the museum with beginning to plan the 2026 Model A Days, and wow! It is going to be a phenomenal experience! The theme, dates, and information will be released on March 15th so keep an eye out for an email from MAFFI or on social media.

Finally, we are getting ready to release information on our sweepstakes car for this year and it is an absolutely breathtaking car! More information will come out in March as well.

Keep on motoring!

John Grossheim

National Model A Clubs



The Wichita A's Model A Ford Club encourages members to join both National MARC and MAFFA Clubs.



MAFFA

250 S. Cypress St.
La Habra, CA 90631-5515
www.mafca.com
U.S. Membership Cost: \$50

For membership information you can check MAFFA and MARC web sites.

MARC

6721 Merriman
Garden City, MI 48315
<http://modelarestorers.org>
U.S. Membership Cost: \$50

MARC

The Model A Restorers Club, Inc.

THE *running* BOARD REPORT

From Tom Hovetter, President and Jim Zimmer, Director of Regions

March 2026

Members, we are now offering a MARC digital membership on a promotional basis for 12 months at \$30. You get all of the privileges of full MARC membership except that the *Model A News* is only available on the MARC website. This promotional offer is in addition to our FREE 12 month digital membership for members of your Region who have never been MARC members previously. Call the office at 734-427-9050 to enroll.

Don't forget that we have some additional membership options to our regular 12 month membership.

- Junior Membership*, for young adults between the ages of 18-25, digital *Model A News*. FREE!
- Surviving Spouse Membership*, for those who wish to continue to participate in club activities, digital *Model A News*. \$15.
- Complimentary Membership*, to attend a specific MARC event including dignitaries, vendors, companions or others not involved in the hobby. No other benefits except ability to attend events and MARC liability insurance. FREE (short duration).
- Temporary Membership*, for speakers, vendors, others who profit from the event. No other benefits except ability to attend the event and MARC liability insurance coverage. \$15 (Board approved required)

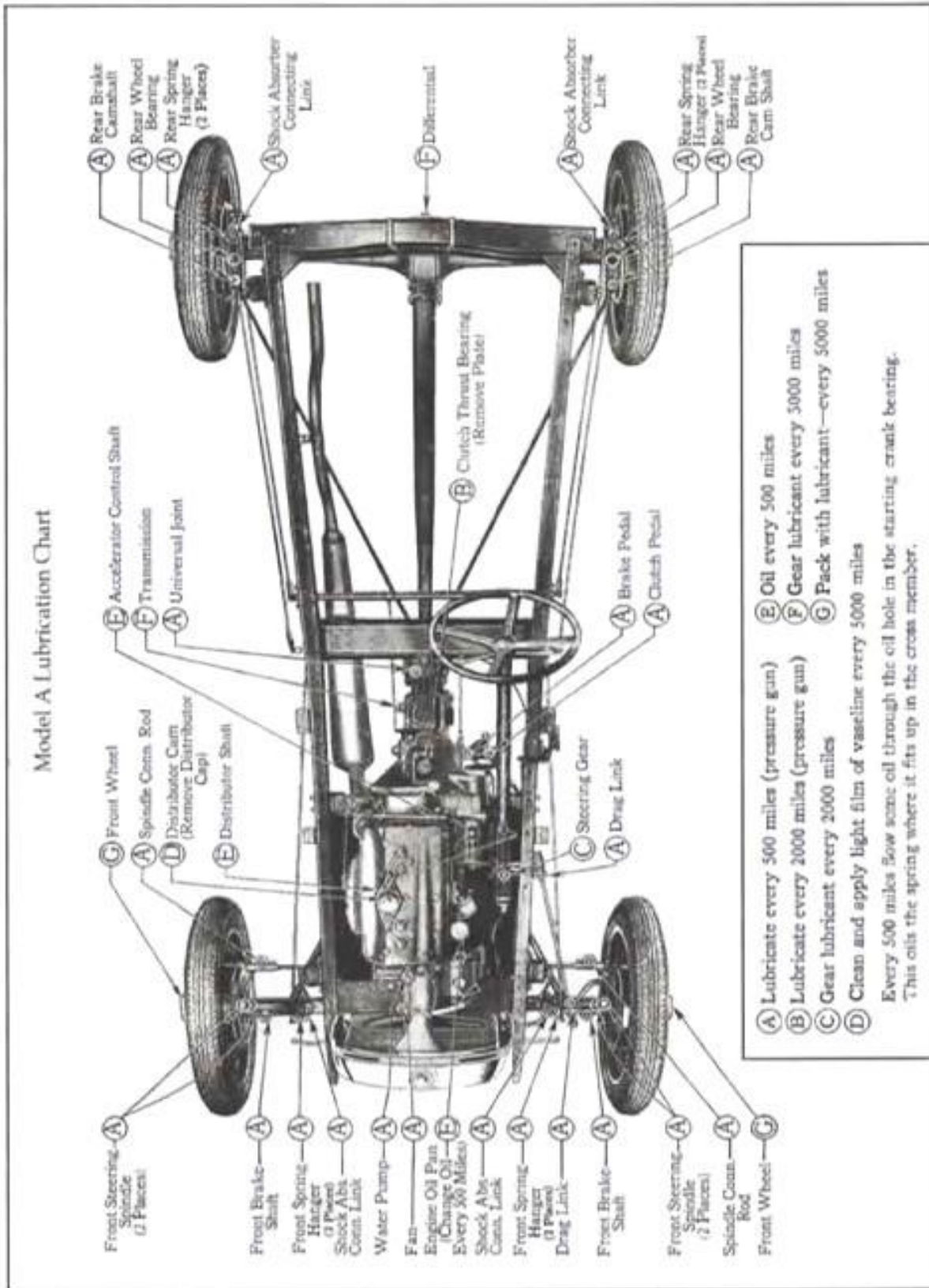
Are you following Model "A" Restorers Club on Facebook? Our new social media strategy has exploded the number of views, viewers and visits by almost 1000%. People who follow our postings are up by an even higher percentage. Younger viewers, the next generation of MARC members, are talking about the cute video clips and showing more interest in our hobby. Many thanks to our development team and our new Facebook administrators!

Regarding our new social media strategy, our website development team continues to add new features to our website. Members can now register for the upcoming French Lick National Meet on our website. No more mailing/lost registration forms, hard to read names and addresses and addition errors. Just log in to the MARC website and scroll down to French Lick 2026 online registrations, click read more and it will take you to the registration form. Electronic payment is welcome, or you can still send a check!

Cold weather has delayed or cancelled many Region events. Time now to get your cars ready to attend MARC's spring Finger Lakes Tour/Membership Meet. There are still a few registrations available so plan to make yours today.



Tech Tip



Ford Model A Instruction Book - Figure 15

ERA Fashion

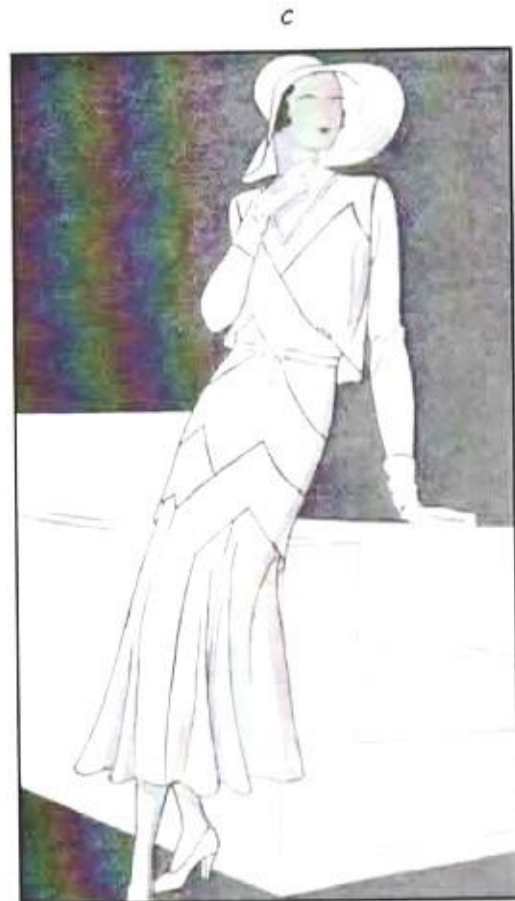
1930 Women



A. This silk suit is a sleeveless dress with a jabot collar which is worn outside the coat. The skirt flares in front. Shirring on the bodice gives high waist effect, and is accented with a sash bow.

B. A dress with a matching jacket that ties in front in a scarf-like fashion. The skirt is flared, the cuffs are accented with small bows.

C. A series of crossed bands form an attractive pattern on this semi-sheer dress. The bands extend to the flared lower skirt.



LOCAL AND NATIONAL CALENDARS

2026 SWAP MEET & CAR SHOW SCHEDULE

April 23-25, 2026.....	Pate Swap Meet Texas Motor Speedway..Fort Worth, TX
May 9, 2026.....	Cowtown Horsepower Showdown Car Show Event-10AM to 3PM.....Wichita, KS



2026-2027 FUTURE REGIONAL & NATIONAL MODEL A MEETS

May 31-June 7, 2026.....	2026 National Convention hosted by Blue Mountain A's.....Pendleton, OR
May 11-14, 2026.....	2026 MARC National Tour.....Finger Lakes, NY
July 12-16, 2026.....	2026 MARC National Meet.....French Lick, IN
December 10-12, 2026....	National Award Banquet.....Cincinnati, OH
June 13-18, 2027.....	2027 MAFCA National Tour.....Durango, CO

ERIC WENINGER
OWNER

2045 S BEDFORD ST
WICHITA, KS 67207

316-619-1821

www.modelmedic.com
modelamedic@gmail.com

**THE
MODEL A
MEDIC^{LLC}**



STOCKING A FULL LINE OF
NEW AND USED MODEL A FORD PARTS

SPECIALIZING IN FULL SERVICE REPAIRS,
ENGINE, DRIVE TRAIN, AND RESTORATION

OVER 40 YEARS WORKING EXPERIENCE

B&B Electric Motor Co.
Your One Stop Industrial Service Center

New • Repair • Rewind
Electric Motors • Pumps
Phone (316) 267-1238 • 1-800 499-1238
Fax (316) 267-0599 • Emergency (316) 641-0806
email: bbemc@msn.com • bbelectricmotor.com

332 Lulu
Wichita, KS 67211

Ed Giesen
Customer Service

Join the Wichita A's.
We meet on the 4th Monday of each
month except December

Minisa Park, 704 W. 13th Wichita,
KS at 7 PM

Mishelle Whitney

mishelle@loracompany.com

624 E. Harry Street
Wichita, KS 67211

316-263-2565 * 1-800-554-0144

Fax 316-263-5181

www.loracompany.com

Lorac Company, Inc.

Basement Window Well Cover * Powder Coating
* Custom Metal Fab * Media Blasting

Happy Easter!



Go To:

Wichita A's Model A Ford Club
wichitaas.com

To download forms to join the Wichita
A's Model A Ford Club, MAFCA,
MARC or MAFFI .



HEADLEY ORGAN CO
LUKE HEADLEY



112 S. MAIN ST.
P.O. BOX 11
ARGONIA, KS 67004

(316) 249-1761 HEADLEYORGANCO@GMAIL.COM

Wichita A's Model A Ford Club
P.O. Box 25
Wichita, KS 67201



Address Service Requested

Wichita A's Model A Ford Club Contacts

If you chose to email one of the following contacts, go to our web page at www.wichitaas.com and click on contacts and send your email from there. Include the person you want to email in your message

- President**, Mike James
..... (316)
- Vice President**, Stuart McNeal
..... (316)
- Secretary**, Kathy James
..... (316)
- Treasurer**, Claudia Ellerman
..... (316)
- Tour Chairman**, Don Grabendike
.....(316)
- Membership**, Linda Kibbe
..... (316)
- Newsletter Editor**, Sheila Orr
sheorr@sbcglobal.net..... (316) 207-8878
- Webmaster**, Darren Schuster

The Rumbleseat Review is the official publication of the Wichita A's Model A Ford Club, Inc., a local chapter of the Model A Ford Club of America and the Model A Restorers Club. It's purpose is to keep members informed of past, present and future events, activities, and club news. In addition, this newsletter includes articles and other information to aid in the restoration and enjoyment of the Model A Ford automobile.

This publication is mailed or emailed to members, prospective members and editors of similar publications prior to monthly meetings. Meetings are usually the fourth Monday of the month. Members may publish antique car related ads only for free of charge which includes items wanted, items for sale, or items for trade. We invite members to submit articles containing technical Model A information and other interesting tidbits for publication in this newsletter. Items to be published must be submitted to the newsletter editor by deadline shown in the calendar. Wichita A's membership dues are \$25.00, per year (October to September30). MAFCA dues are \$50.00 per year and MARC dues are \$50.00 per year. A business card advertisement in this newsletter is \$25.00 per year.